

# LUXUS Colour Zoom Camera



The LUXUS Colour Zoom Camera is designed for use with ROV systems and is ideal for use in combination with the LUXUS Power LED.

The camera is equipped with a zoom function and can be adjusted for focus, white balance, iris and a number of other settings. Focus and white balance also have auto settings. Camera functions can be controlled with the supplied software or as hard wired. The camera uses a composite output but can also be supplied with other output types. The camera is delivered with SubConn® or alternative customer specified connectors.

The LUXUS Colour Zoom Camera consumes just 5 W and can handle a wide range of DC power inputs from 9 to 36 VDC.

The camera housing is made from titanium and has a depth rating of 4,000 metres.

## Features and benefits

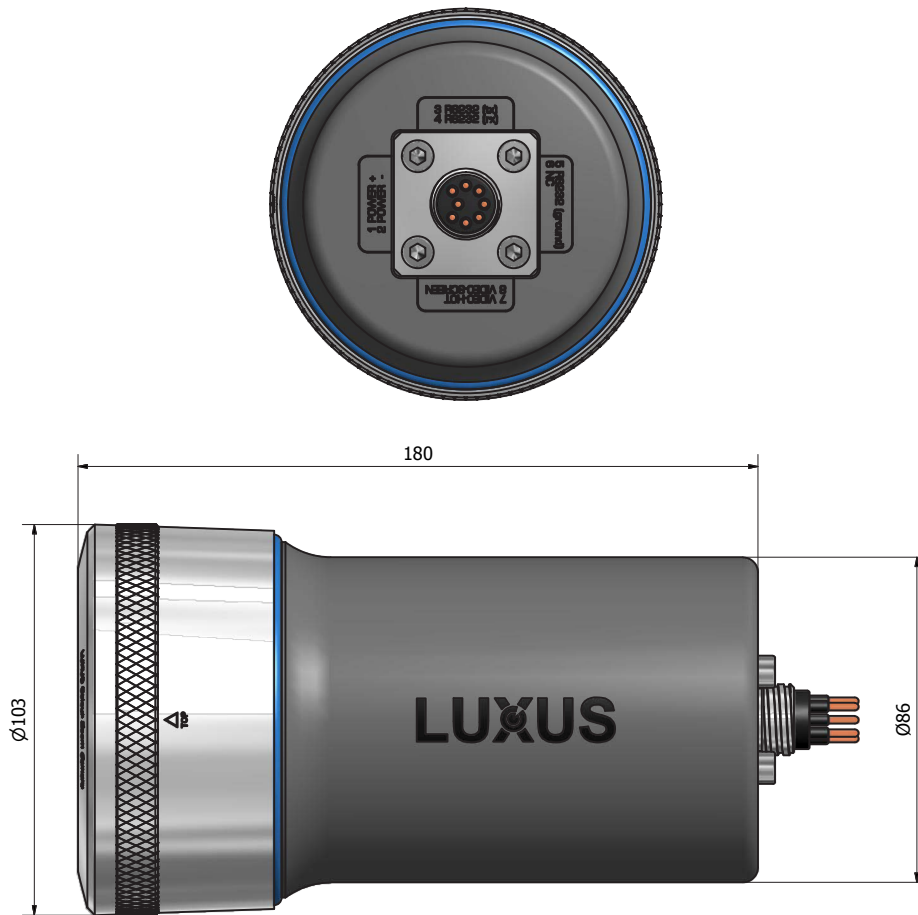
- High performance and image quality
- Zoom function
- Numerous adjustable settings
- 4,000 m depth rating

## Applications

- General underwater inspection
- ROV systems
- Trencher systems
- Crawler systems
- Tow and drop camera systems
- Benthic sled systems
- Underwater observatory systems
- Diving applications
- Winch and deck monitoring

## Options

- Alternative connectors
- Custom wiring
- NTSC or PAL
- LUXUS universal mounting bracket
- LUXUS Long Line Diver
- RS485 communication



## Specifications

### Electrical

Power supply:	9 - 36 VDC
Power consumption:	5 W
Output:	Video Composite 1 Vpp
Signal to noise ratio:	>52 dB
Control options:	RS232 – others on request
Standard wiring:	1 Power + 2 Power Gnd 3 RS232/RS485 Tx 4 RS232/RS485 Rx 5 RS232 Gnd 6 NC 7 Video hot 8 Screen

### Mechanical

Material:	Titanium
Standard connector:	SubConn® FCR 1508M Ti or SubConn® 75CXBH6M
Other connectors:	On request
Dimensions:	See drawing (mm)
Weight:	2,500 g in air 1,325 g in water
Window/Lens:	Borosilicate glass

### Optical

Sensor:	1/3" Exview HAD CCD
Angle of view (horizontal):	
Air:	8.0° tele - 82.0° wide
Water:	6.0° tele - 61.0° wide
Sensitivity:	1 lux
Recommended illum.:	>100 lux
Zoom (120x):	10 x optical, 12 x digital
Iris:	Manual or automatic
Focus:	Manual or automatic
White balance:	Manual or automatic
TV Lines:	560

### Environmental

Depth rating:	4,000 m
Test pressure:	600 bar
Storage temperature:	-30 to +70 °C
Operating temperature:	-10 to +50 °C